

LIMITED WARRANTY

The Little Tikes Company makes fun, high quality toys. We warrant to the original purchaser that this product is free of defects in materials or workmanship for one year * from the date of purchase (dated sales receipt is required for proof of purchase). At the sole election of The Little Tikes Company, the only remedies available under this warranty will be the replacement of the defective part or replacement of the product. This warranty is valid only if the product has been assembled and maintained per the instructions. This warranty does not cover abuse, accident, cosmetic issues such as fading or scratches from normal wear, or any other cause not arising from defects in material and workmanship. *The warranty period is three (3) months for daycare or commercial purchasers. **U.S.A and Canada:** For warranty service or replacement part information, please visit our website at www.littletikes.com, call 1-800-321-0183 or write to: Consumer Service, The Little Tikes Company, 2180 Barlow Road, Hudson OH 44236, U.S.A. Some replacement parts may be available for purchase after warranty expires—contact us for details. **Outside U.S.A and Canada:** Contact place of purchase for warranty service. This warranty gives you specific legal rights, and you may also have other rights, which vary from country/state to country/state. Some countries/states do not allow the exclusion or limitation of incidental or consequential damages, so the above limitation or exclusion may not apply to you.

Please keep this manual as it contains important information.
Illustrations are for reference only. Styles may vary from actual contents.

© The Little Tikes Company, an MGA Entertainment company. LITTLE TIKES® is a trademark of Little Tikes in the U.S. and other countries. All logos, names, characters, likenesses, images, slogans, and packaging appearance are the property of Little Tikes.

Printed in China

US/CA - Little Tikes Consumer Service
2180 Barlow Road, Hudson, Ohio 44236 U.S.A.
Phone: 1-800-321-0183
E-mail: service@littletikescare.com

UK - MGA Entertainment UK Ltd.
50 Presley Way, Crownhill, Milton Keynes, MK8 0ES, Bucks, UK.
Little Tikes Consumer Services
P.O. Box 2040 Hockley, Essex, SS5 4BF
Phone: 0 800 521 558
E-mail: support@littletikesstore.co.uk

EU - MGA Entertainment (Netherlands) B.V. Baronie 68-70,
2404XG, Alphen a/d Rijn, The Netherlands
Tel: +31-172-758-010
Email: klantenservice@mgae.com

AU/NZ - Imported by MGA Entertainment Australia Pty Ltd.
Suite 2.02, 32 Delhi Road,
Macquarie Park NSW 2113. AU.
Tel: 1 300 059 676
Email: au-sales@mgae.com



0822-1-E/INT

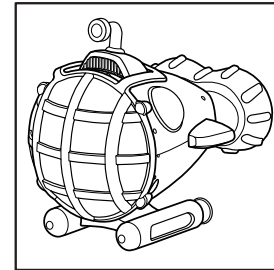


www.littletikes.com
www.littletikes.co.uk
www.littletikes.com.au



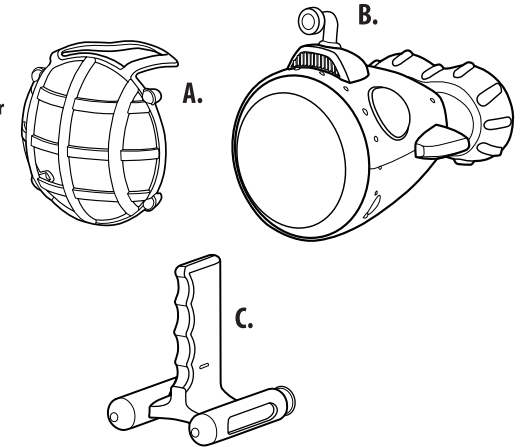
SUBMARINE

SKU: 662164
AGES 3+ YEARS
ADULT SUPERVISION RECOMMENDED
ADULT ASSEMBLY REQUIRED



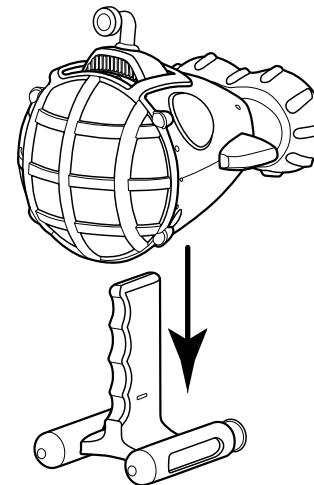
CONTENTS

- A. 1 sifter
- B. 1 submarine
- C. 1 water sprayer

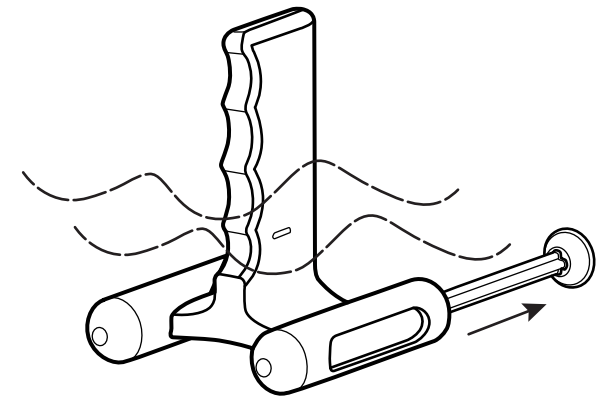


3 Ways to PLAY!!!

1. READY FOR SOME WATER FUN!

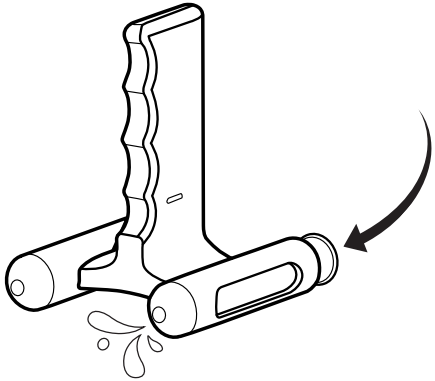


Remove the water sprayer from the submarine.



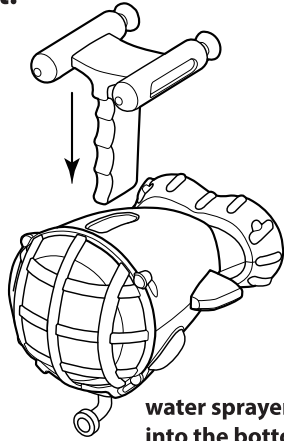
Place the water sprayer under water. Pull on plungers to suction water into the water sprayer.

1. READY FOR SOME WATER FUN! - cont.



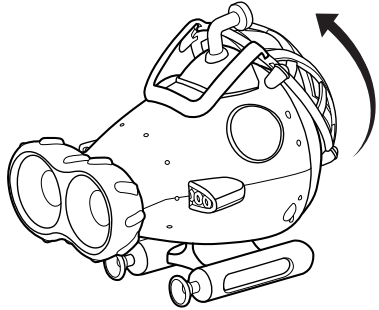
Push in on the plunger to shoot the water out the other end.

WARNING: Do not aim plunger at face or eyes.

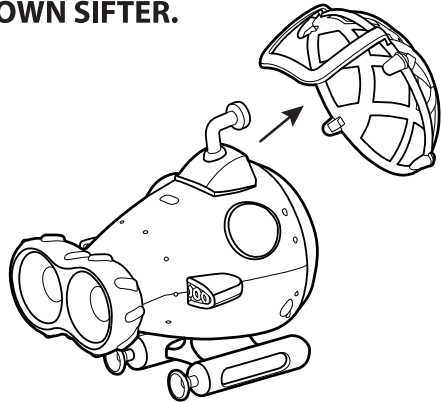


water sprayer inserts into the bottom of the submarine.

2. EXPLORE USING YOUR VERY OWN SIFTER.

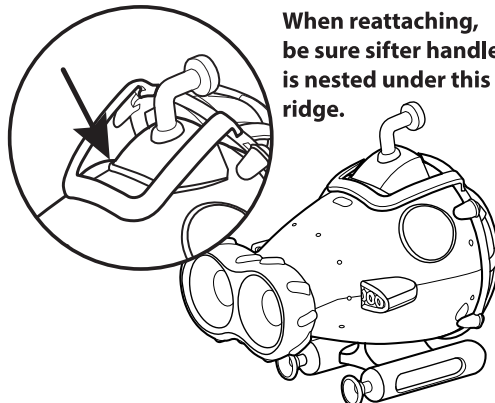


Pull up on the sifter to detach from the submarine.



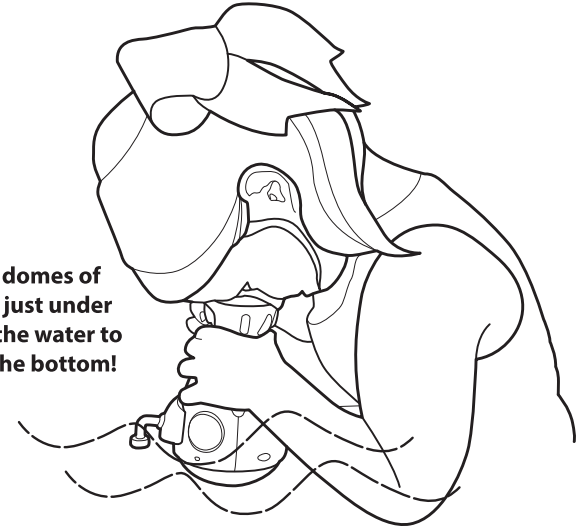
When reattaching, be sure sifter handle is nested under this ridge.

Sift through dirt, sand, rocks or water... See what you can discover!



3. SEE UNDERWATER...

Look underwater to see what you can find using the submarine viewers!



Place the clear domes of the submarine just under the surface of the water to see what's on the bottom!

IMPORTANT INFORMATION

- Adult supervision is required when children are playing around water.
- Do not allow children to play with water near an electrical source or apparatus in order to avoid electric shock and/or electrocution.
- Do not leave items filled with water near electrical devices.
- Dry off vehicles with a dry cloth or air dry vehicles. Do not place under direct or excessive heat.