

LIMITED WARRANTY

The Little Tikes Company makes fun, high quality toys. We warrant to the original purchaser that this product is free of defects in materials or workmanship for one year * from the date of purchase (dated sales receipt is required for proof of purchase). At the sole election of The Little Tikes Company, the only remedies available under this warranty will be the replacement of the defective part or replacement of the product. This warranty is valid only if the product has been assembled and maintained per the instructions. This warranty does not cover abuse, accident, cosmetic issues such as fading or scratches from normal wear, or any other cause not arising from defects in material and workmanship. *The warranty period is three (3) months for daycare or commercial purchasers. U.S.A and Canada: For warranty service or replacement part information, please visit our website at www.littletikes.com, call 1-800-321-0183 or write to: Consumer Service, The Little Tikes Company, 2180 Barlow Road, Hudson OH 44236, U.S.A. Some replacement parts may be available for purchase after warranty expires—contact us for details. Outside U.S.A and Canada: Contact place of purchase for warranty service. This warranty gives you specific legal rights, and you may also have other rights, which vary from country/state to country/state. Some countries/states do not allow the exclusion or limitation of incidental or consequential damages, so the above limitation or exclusion may not apply to you.

BATTERY SAFETY INFORMATION

- Use only size “AA” (LR6) alkaline batteries (3 required).
- Charging of rechargeable batteries should only be done under adult supervision.
- Remove rechargeable batteries from the product before recharging.
- Do not mix old and new batteries.
- Do not mix alkaline, standard (carbon-zinc), or rechargeable batteries.
- Be sure to insert the batteries correctly and follow the toy and battery manufacturer’s instruction.
- Always remove exhausted or dead batteries from the product.
- Dispose of dead batteries properly; do not burn or bury them.
- Do not attempt to recharge non-rechargeable batteries.
- Avoid short-circuiting battery terminals.
- Remove batteries before placing the unit into storage for a prolonged period of time.

FCC COMPLIANCE

NOTE: This equipment has been tested and found to comply with the limits for a Class B digital device, pursuant to Part 15 of the FCC Rules. These limits are designed to provide reasonable protection against harmful interference in a residential installation. This equipment generates, uses and can radiate radio frequency energy and, if not installed and used in accordance with the instructions, may cause harmful interference to radio communications. However, there is no guarantee that interference will not occur in a particular installation. If this equipment does cause harmful interference to radio or television reception, which can be determined by turning the equipment off and on, the user is encouraged to try to correct the interference by one or more of the following measures:

- Reorient or relocate the receiving antenna.
- Increase the separation between the equipment and receiver.
- Connect the equipment into an outlet on a circuit different from that to which the receiver is connected.
- Consult the dealer or an experienced radio/TV technician for help.

This device complies with Part 15 of the FCC Rules. Operation is subject to the following two conditions: (1) This device may not cause harmful interference, and (2) this device must accept any interference received, including interference that may cause undesired operation.

Caution: Modifications not authorized by the manufacturer may void users authority to operate this device.

CAN ICES-3 (B)/NMB-3(B).

Frequency band: 2402-2480MHz

Max. transmit power: -1.5 dBm

This device contains licence-exempt transmitter(s)/receiver(s) that comply with Innovation, Science and Economic Development Canada’s licence-exempt RSS(s). Operation is subject to the following two conditions:

1. This device may not cause interference.
2. This device must accept any interference, including interference that may cause undesired operation of the device.



‘Let’s care for the environment!’

The wheelee bin symbol indicates that the product must not be disposed of with other household waste. Please use designated collection points or recycling facilities when disposing of the item. Do not treat old batteries as household waste. Take them to a designated recycling facility.

Please keep this manual as it contains important information.



Printed in China
0421-0-EUC

© The Little Tikes Company, an MGA Entertainment company. LITTLE TIKES® and MY REAL JAM™ are trademarks of Little Tikes in the U.S. and other countries. All logos, names, characters, likenesses, images, slogans, and packaging appearance are the property of Little Tikes.

The Bluetooth® word mark and logos are registered trademarks owned by Bluetooth SIG, Inc. and any use of such marks by MGA Entertainment, Inc. is under license. Other trademarks and trade names are those of their respective owners.

Little Tikes Consumer Service
2180 Barlow Road
Hudson, Ohio 44236 U.S.A.
1-800-321-0183

MGA Entertainment UK Ltd.
50 Presley Way, Crownhill, Milton
Keynes, MK8 0ES, Bucks, UK
support@LittleTikesStore.co.uk
Tel: +0 800 521 558

**Imported by MGA Entertainment
Australia Pty Ltd**
Suite 2.02, 32 Delhi Road
Macquarie Park NSW 2113
1300 059 676



www.littletikes.com
www.littletikes.co.uk
www.littletikes.com.au

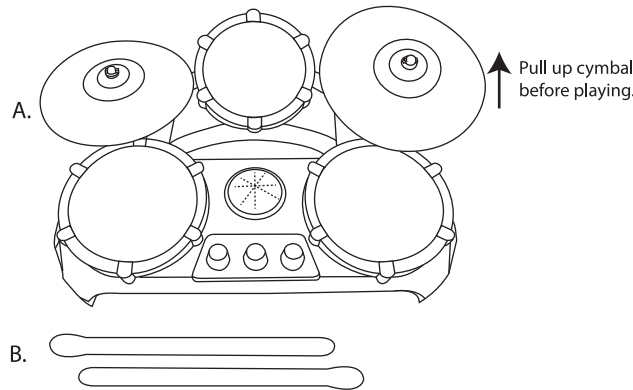


SKU: 654824EUC

AGES 3+
ADULT SUPERVISION RECOMMENDED
ADULT BATTERY INSTALLATION REQUIRED

CONTENTS

- A. Drum Set
- B. 2 Drum Sticks

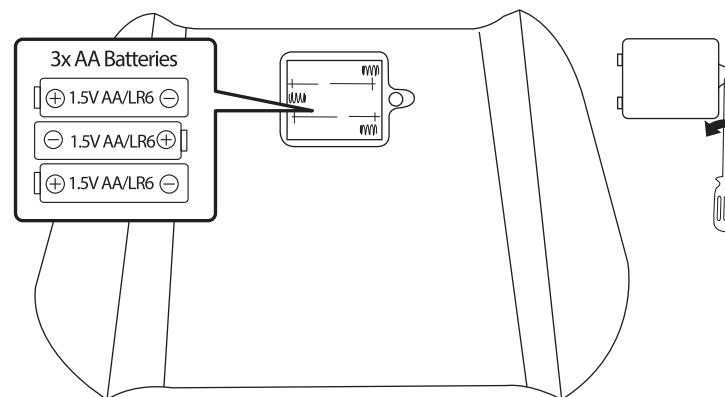


Illustrations are for reference only. Styles may vary from actual contents. Please remove all packaging including tags, ties & tacking stitches before giving this product to a child.

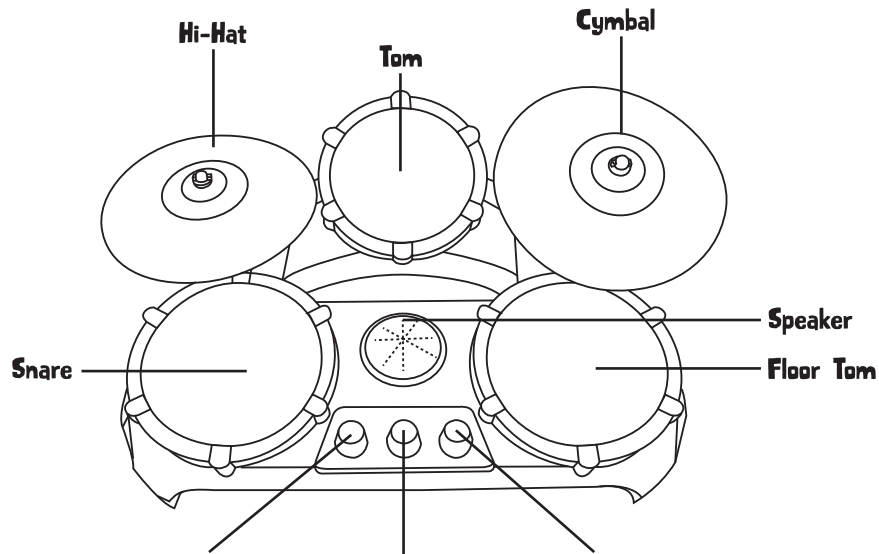
BATTERY REPLACEMENT

The batteries included in the unit are for in-store demonstration. Before playing, an adult must install fresh alkaline batteries (not included) in the unit. Here’s how:

1. Using a Phillips screwdriver (not included), remove the screw and battery compartment cover located under the unit.
2. Install three (3) fresh 1.5V AA (LR6) alkaline batteries (not included) in the unit making sure the (+) and (-) ends face the proper direction as indicated inside the battery compartment.
3. Replace the compartment cover and tighten the screw.



YOUR DRUMS



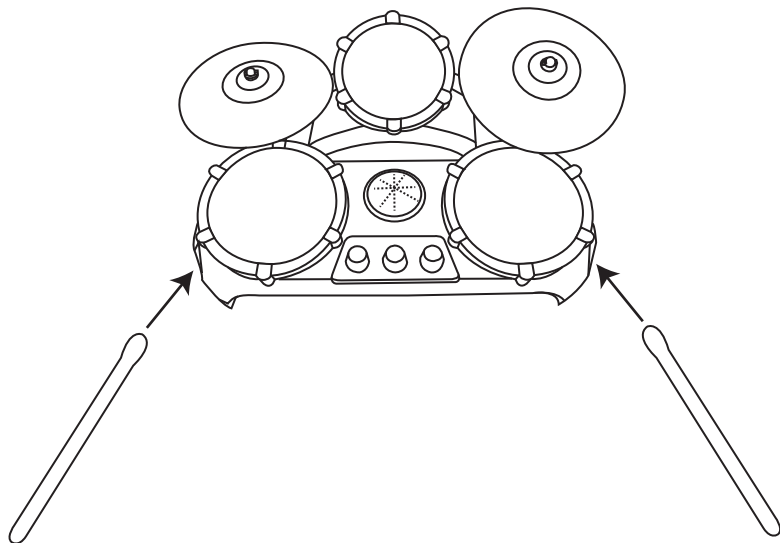
OFF/Volume Knob
To turn on the drums, turn the dial to the volume.

Mode Knob
 Play with the Band
 Free Play
 Solo Jam
 Bluetooth®

Speed/Volume Knob
Turn the dial to:
 • Control the speed of the kick drum playback while in Solo Jam.
 • Control the volume of the band while in Free Play.
 • Control the volume of your device while in Bluetooth®.

STORE YOUR DRUM STICKS

Insert the drum sticks into the sides of the drum set.



4 SUPERSTAR PLAY MODES

Locate the mode switch on the drums and move the switch to the desired mode.



PLAY WITH THE BAND

Instantly join the band and live out your musical dreams! While in this mode, the band will play in the background. Use the sticks to hit any part of the drums and add the drums to the band.

NOTE: When you hit the drums, the drum music will start. The music stops when you stop playing the drums.



FREE PLAY

Compose your own beat! While in this mode, create your own beat and use the Speed/Volume knob to control the band's volume.

Jam out to your favorite song!

When using your device, follow the below steps.

1. Connect the device to your drums. Follow the steps under Bluetooth®.
2. Make sure the volume on your device is set to the maximum volume.
3. Choose your favorite song.
4. Make sure the song is on pause.
5. Hit the drums to start the song. As soon as the song starts, it will continue playing. Continue hitting the drums to add the drums to the song.

For the best experience, choose a song that fits the instrument's genre.



SOLO JAM

Jam out to your own customized drums solo! While in this mode, use the sticks to hit any part of the drums. Use the Speed/Volume knob to control the speed of the kick drum.



Bluetooth®

Jam out to your favorite song by connecting the drums to your device. Here's how:

1. Move the Mode Knob to the Bluetooth® icon. It will continuously play music while it is searching for your device.
2. Open the settings menu on your device.
3. Select Bluetooth® on your device and make sure it is on.
4. Your device will search for the drums.
5. Select the name "MGA Drums" to connect your device.

NOTE: While in this mode, use the Speed/Volume knob to control the volume of your device.

Note: The instrument can only connect to one smart device at a time. You will not be able to connect two devices to the same instrument.

TROUBLESHOOTING

PROBLEM	POSSIBLE SOLUTIONS
Instrument isn't playing the device's song.	<ul style="list-style-type: none"> • Make sure the device is connected through Bluetooth®. • Make sure the volume on the device is turned all the way up. • Check the Speed/Volume knob on the drum set and turn up the volume. • After choosing a song, exit the app but don't close it. Alternatively, you can put the phone to sleep, but make sure the app is still running in the background.
Instrument doesn't stop playing the device's song.	<ul style="list-style-type: none"> • Disconnect the Bluetooth® by changing the Mode.
Instrument stopped working.	<ul style="list-style-type: none"> • The batteries included in the instrument are for in-store demonstration. It is recommended to replace the batteries before playing. • Make sure it is on and the volume is turned up.

Start your own band!

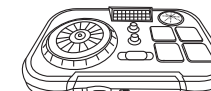
COLLECT THEM ALL!
EACH SOLD SEPARATELY.



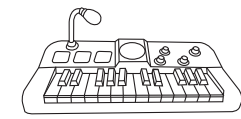
ELECTRIC GUITAR



ACOUSTIC GUITAR



DJ MIXER



KEYBOARD

IMPORTANT INFORMATION

- The batteries included are for in-store demonstration. It is recommended to change the batteries before playing.
- To conserve battery power, always turn the unit off by moving the dial to the off (⏻) position.
- After 30 seconds of no activity, the unit will go into sleep mode. Tap on any drum to wake it up.